



Heavy Duty Floor Closer



ASSA ABLOY

ASSA ABLOY, the global leader
in door opening solutions

The Lockwood ST8011SSS double action floor closer has been specifically designed to meet the exacting requirements of double or single action pivoted doors with a door leaf weight up to 300kgs.

Innovative design enables onsite flexibility over a wide range of applications.

Designed and manufactured to world class standards which enables the highest possible quality, efficient and reliable performance.

Multi functional designs offer the specifier, stockist or the installer outstanding versatility and low inventory levels.

Standard Features

Power adjustment

- Turning the screw valve the power can be adjusted from EN size 3-6; closing force ranges from 24Nm to 60Nm

Adjustable Closing Speed

- Adjustable Closing Speed:
Closing 175deg - 15deg,
Latching speed 15deg - 0deg

Hold Open

- By setting the HO valve the door can be set to hold open the door at any angle from 85deg to 170deg opening, to release door manually pull door closed.

Delayed Action

- Adjusting this valve controls the closing time of the door between 170deg - 85deg

Back Check

- Back Check:
The integrated mechanical back check function offers optimum protection for doors and walls

With these standard features built into one product this means there is only one model to specify and stock to cover a wide range of applications.

Construction

- Cast iron body
- Three thermodynamic valves for consistent performance
- Built in pressure relief valve
- Cement box hot zinc plated steel
- Universal cover plate



Door Specifications

- Suitable for door weights up to 300kgs
- Leaf widths from 950mm - 1400mm
- Max opening angle 175deg

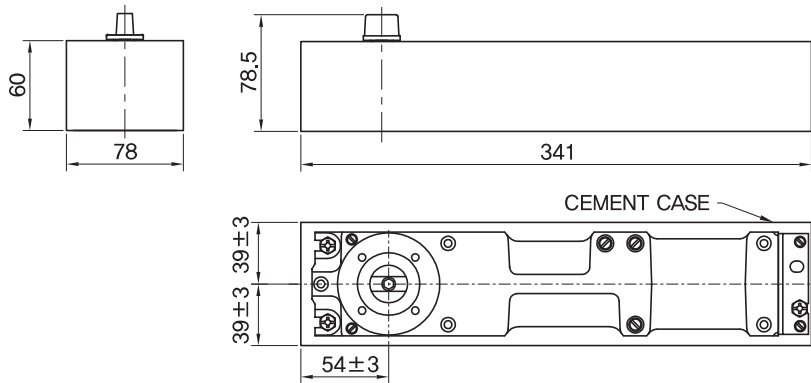
Part Numbers

ST8011SSS Satin Stainless Steel

Floor Closers

ST8011SSS Floor Closer

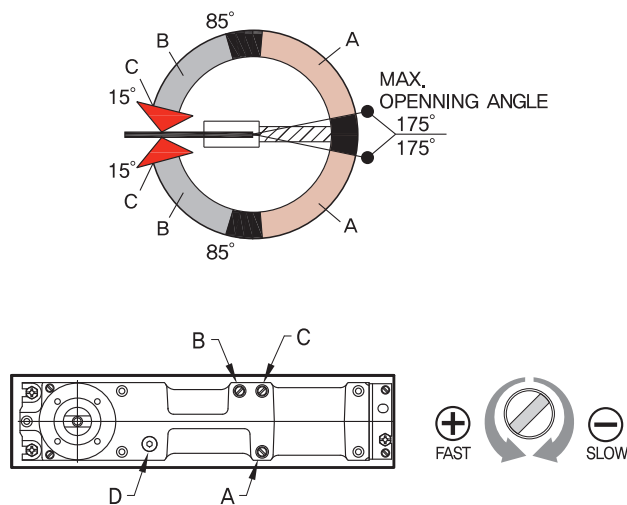
Limiting Dimensions



Adjustments within Cement Box

Vertical	9 mm
Side	6 mm
Front	5 mm

Standard Adjustments



Adjust Closing Speed

Valve "A" - controls closing speed from MAX. (OPENING - 85°)

Valve "B" - controls closing speed from approx. (85° ~ 15°)

Valve "C" - controls closing speed from approx. (15° ~ 0°)

Valve "D" - Adjustable closing force (EN3~6)

Back-check

The integrated mechanical back-check function offers optimum protection for doors and wall

Delayed Action

Turn valve "A" clockwise until desired delay time is obtained (175° - 85°).

Hold Open

Turn valve "A" completely clockwise. Door will hold at any point beyond approx. 85°. Allow for approx. 4° fall away when considering hold open position.

To release door, manually pull door closed a few inches.

Recommended Door Sizes

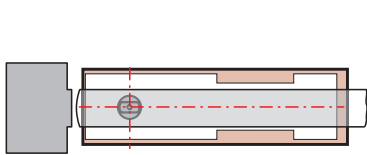
Door Closer in this series are power adjustable size 3-6

Recommended Door Width	Door Weight (kg) Max	Closer Power Size	Closing Torque (Nm)
950	60	3	18 - <26
1100	80	4	26 - <37
1250	100	5	37 - <54
1400	120	6	54 - <87

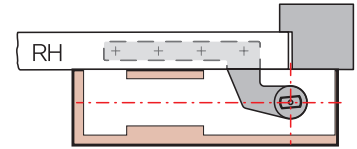
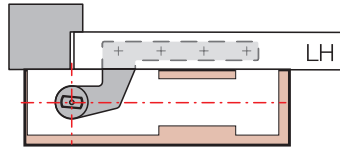
Floor Closers

ST8011SSS Floor Closer

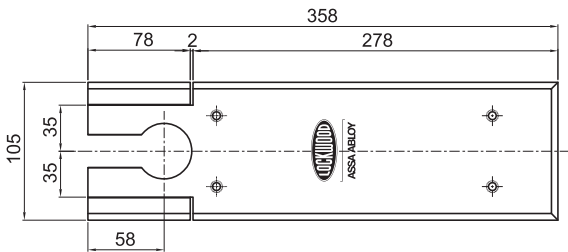
Universal Mounting



Single or Double action door mounting



Single action door mounting with offset

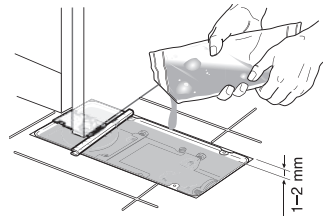


Adaptable to right or left hand single action applications by simply snapping off the appropriate pre-blanked corner sections. For double action doors. The corner sections remain in place.

Universal Cover Plate

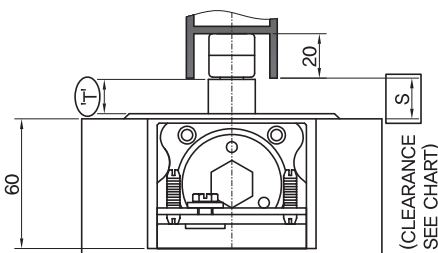
- ST80-171PSS Polished Stainless Steel
- ST80-171PB Polished Brass

Order separately to ST8011SSS Floor Spring



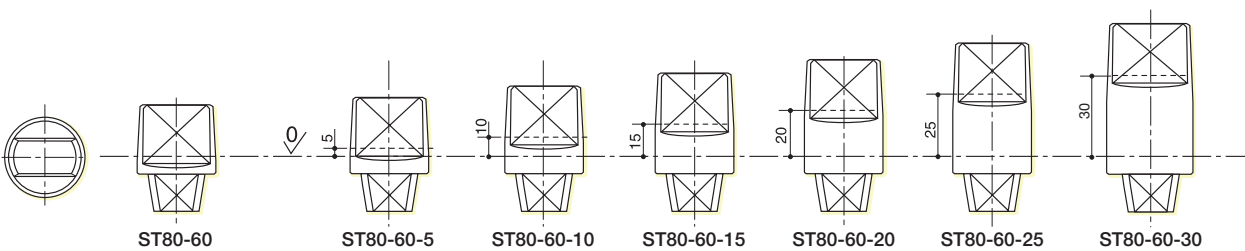
- Sealing compound: ST80-612

Extended Spindle Range



Calculating the necessary length of spindle extension:

- Extension S: Floor clearance (normally 8mm)
- Collar height T of extended spindle inserts:
- Spindle extension length + 3mm (collar height of the standard spindle insert)



* NOTE: 3deg offset spindles available on request.

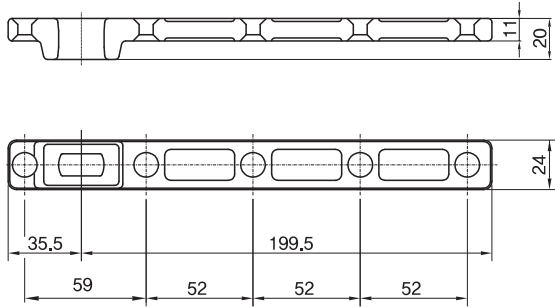
Floor Closers

ST8011SSS Floor Closer

Spare Parts

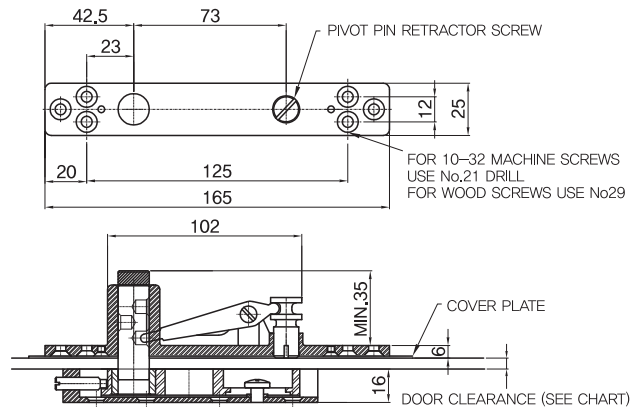
Standard bottom arm

SPST80-393



Standard top pivot

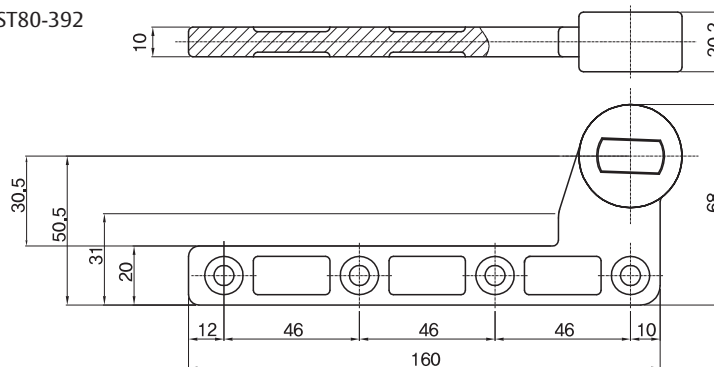
SPST80-8



Accessories

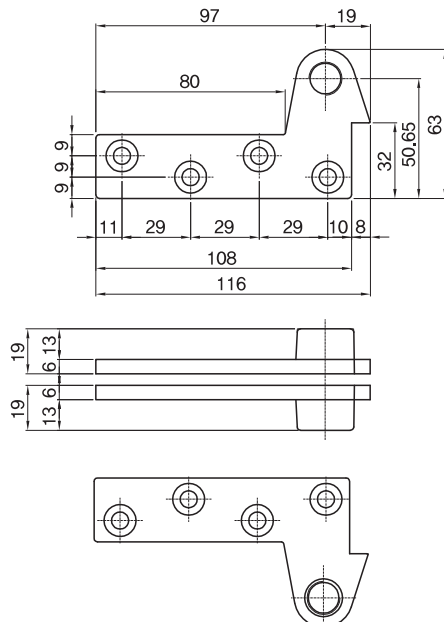
Offset arm (right & left)

ST80-392



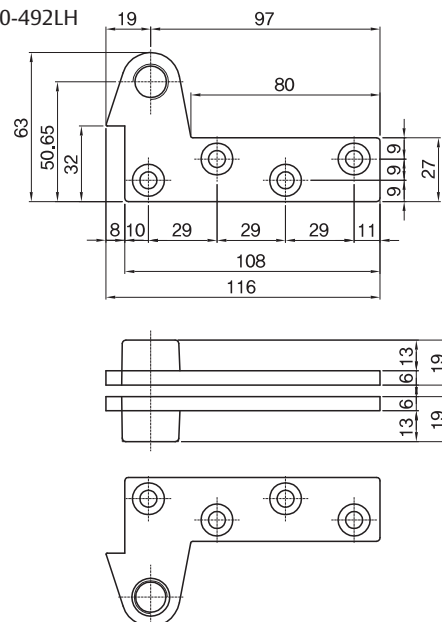
Offset top pivot (right)

ST80-492RH



Offset top pivot (left)

ST80-492LH



ASSA ABLOY is the global leader in door opening solutions, dedicated to satisfying end-user needs for security, safety and convenience



ASSA ABLOY



Lockwood is the leading brand in the Australian locking industry. With an established reputation for high quality products, this iconic brand provides a wide range of locking solutions to residential housing, commercial building and industrial application markets. Lockwood is supported by an extensive distribution and after-sales support network. Our customers include retailers, architects, trade and industrial personnel, locksmiths and security dealers.

ASSA ABLOY

ASSA ABLOY is the global leader in door opening solutions, dedicated to satisfying end-user needs for security, safety and convenience.

ASSA ABLOY is represented in all major regions, in both mature and emerging markets, with leading positions in Australia, Europe and North America.

As the world's leading lock group, ASSA ABLOY offers a more complete product range of door opening solutions than any other company in the market.

Australia
1300 LOCK UP (1300 562 587)
lockweb.com.au

New Zealand
+64 9415 7111
assaabloy.co.nz

ASSA ABLOY Australia Pty Ltd
235 Huntingdale Road
Oakleigh, Victoria, 3166
Australia

ASSA ABLOY New Zealand Ltd
6 Armstrong Road
Albany, North Shore City, 0632
New Zealand

info.au@assaabloy.com
assaabloy.com.au

info.nz@assaabloy.com
assaabloy.co.nz

