

Tower Bolt

The **CS Tower Bolt** is a floor locking bolt that is quickly and easily fitted to CS manufactured doors. It is robust, reliable and easy to use.

The bolt is activated by a vertical lifting action that throws the bolt 18mm. The bolt fits into a machined steel socket mounted into the floor.

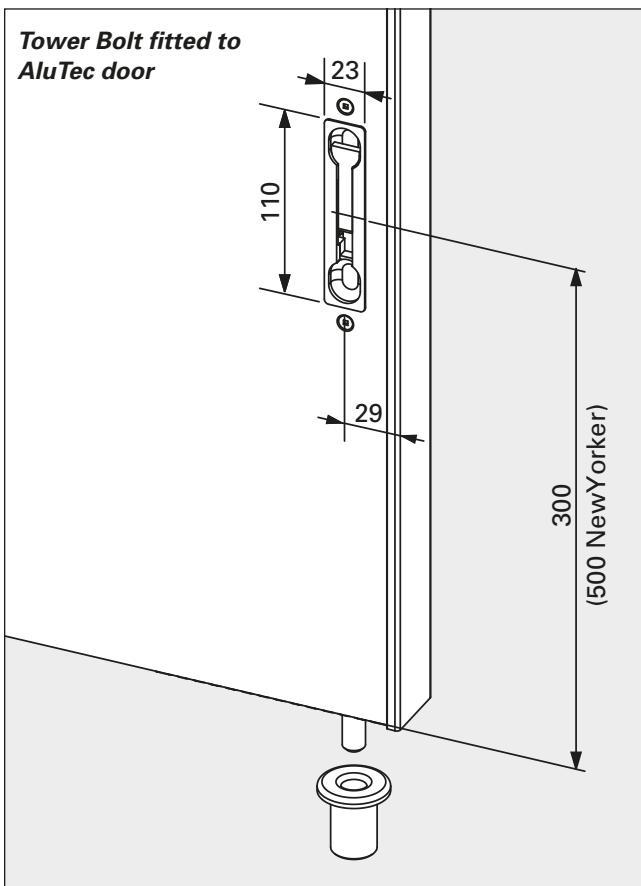
The bolt is installed during manufacture of the CS aluminium door. The unit is mounted flush with the surface of the door with two visible screws to secure it in place.



Dimensions

Due to fitting constraints on our aluminium doors the tower bolts can only be mounted to a set position.

The tower bolt unit can be placed higher or lower on the door, but custom charges may apply.



Suitable Door Types

The tower bolts are suitable for use on the following CS manufactured doors.

AluTec®

Centred 300mm from the bottom of the door and 29mm backset from the front edge.



Tower bolt on CS AluTec door.

NewYorker®

Centred 500mm from the bottom of the door and 29mm backset from the front edge



Tower bolt on CS NewYorker Bi-parting doors.

Finish Options

Satin Chrome, Brass or Painted in either black, white or bronze.

Drawings & pictures are not to scale. All dimensions in millimetres. © Cavity Sliders Limited.

Auckland Head Office
T 09 276 0800
info@csfordoors.co.nz

Bay of Plenty / Waikato
T 07 928 0800
salesbop@csfordoors.co.nz

Christchurch
T 03 348 6158
saleschch@csfordoors.co.nz

Another quality product from:
